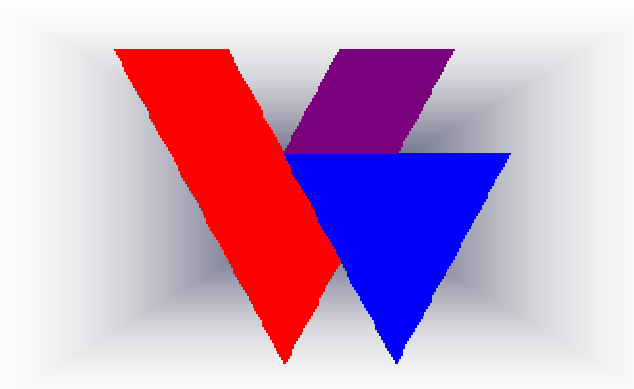


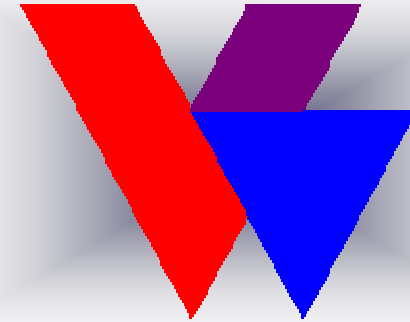
VD LANReceiver



The Virtual Device LANReceiver

© by MEDAV GmbH 2009

- LANReceiver Application Notes
- Use Case 1
- Use Case 2



LANReceiver Application Notes

The LANReceiver application notes describe two use cases for the MEDAV LANReceiver tuner. The intention of these application notes is to support customers in writing their own application programs.

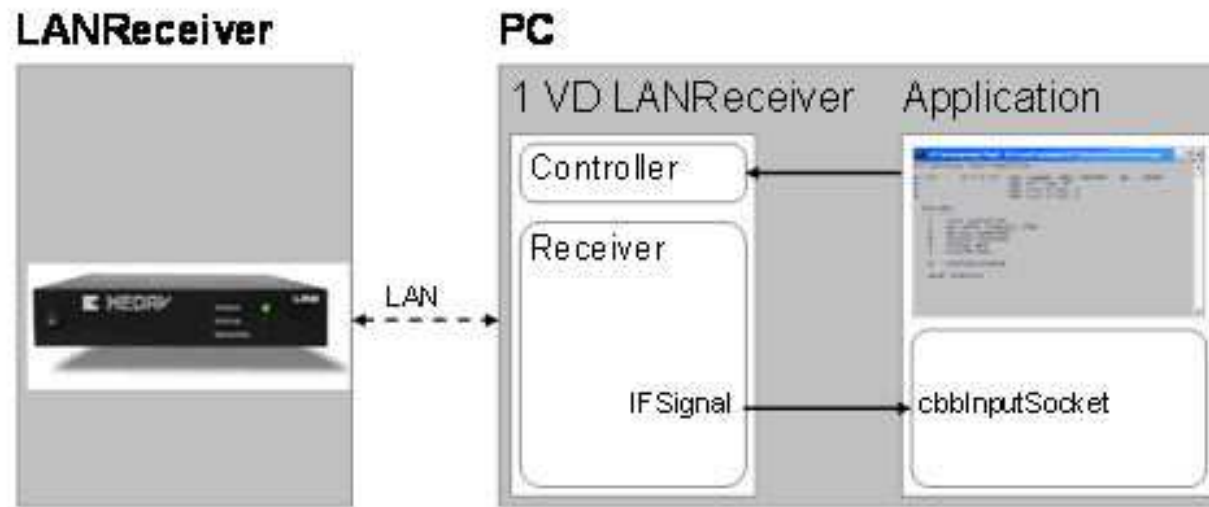
Each application note contains

- A short description of the use case
- A functional description of the demo program
- The executable demo program
- The C++ source code of the demo program



Use case 1:

- control a LANReceiver tuner
- set up for data acquisition
- receive the produced data for further processing



Use case 2:

- control a LANReceiver tuner
- set up for data acquisition
- connect the output of VD LANReceiver to the input of an other VD for further processing. For this use case VD PSD is used.

